



Przełącznik C7053AGBA3;OFF- ON;25mm; 16A 250VAC;żółty;Arcoelectric



Dane techniczne:

Nazwa: C7053AGBA3

Typ produktu: przełącznik przyciskowy

Sposób przełączania: OFF-ON

Ilość torów: 2 tory

Kolor elementu wykonawczego: żółty

Podświetlenie: podświetlenie neonówka 250V

Kolor podświetlenia: żółty

Typ przełącznika: bistabilny

Wyprowadzenia: konektory 6,3x0,8mm

Ilość pozycji: 2 pozycje

Prąd styków AC: 16A

Napięcie przełączania AC: 250V AC

Otwór montażowy / raster: 25mm

Głębokość montażowa: 35mm

7000 Push Button Switches 16A 250Vac



- ▶ Round and rectangular push button switches
- ▶ Ratings up to 16A, 250V ac
- ▶ Latching and momentary
- ▶ Illuminated & non-illuminated
- ▶ Matching indicators
- ▶ Low profile version
- ▶ Bezel sizes:
25.0 dia
27.2 x 22.3



16(4)A 250Vac T125
8(8)A 250Vac T85

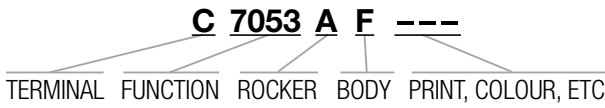


UL CSA 16A Non Ind, 250Vac 1hp, 125Vac 1/2hp
UL 65°C, file no. E45221, CSA file no. LR10990



RoHS compliant

3mm contact gap.
Technical data on pages 4 & 5 (switches), 6 (indicators).



push switches

TERMINAL	FUNCTION			ACTUATOR
C 6.3 x 0.8 9.1	7000		Single pole ON - OFF	A Round actuator shown in F body B Round actuator - medium shown in F body C Round actuator - long shown in F body D Round actuator - sub panel mount S Rectangular actuator Shown in "A" body N/A for 7030
	7001		Single pole ON - OFF (momentary ON)	
	7003		Single pole ON - OFF with light	
	7004		Single pole ON - OFF (momentary ON) with light	
H 4.8 x 0.8 9.1	7050		Double pole ON - OFF	
	7051		Double pole ON - OFF (momentary ON)	
	7053		Double pole ON - OFF with light	
	7054		Double pole ON - OFF (momentary ON) with light	
	7030		Indicator	



C7000AF ---



C7003AF ---



C7053CF ---



C7053BF ---



C7050SA ---



C7053AG ---



C7053DF ---

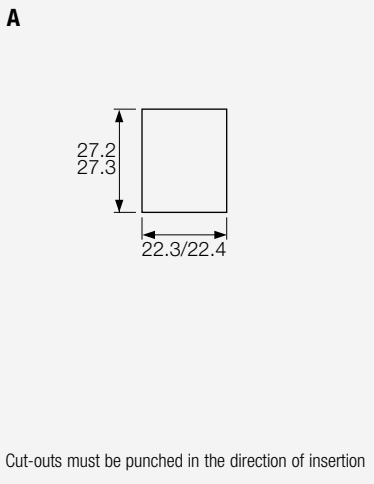
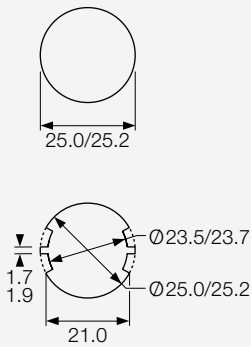


C7030AH ---

BODY

Panel cut-outs

F H G Body types fit either cut-out



OPTIONS

Finish

Matt finish is standard on bodies.
Gloss finish is standard on actuators.

Colour

Call sales for custom colours.
A full range is available for large orders.

Legend printing

A wide range is available or call sales for custom legends.

Lamp voltage

Call sales for details of available voltages.

Protective housing (E)

(designed to IP65)
Covers are available for round body styles, call sales for details.

DIMENSIONS (mm)

Panel thickness:

A 0.8 - 2.5mm
F,G,H 0.8 - 5.0mm

