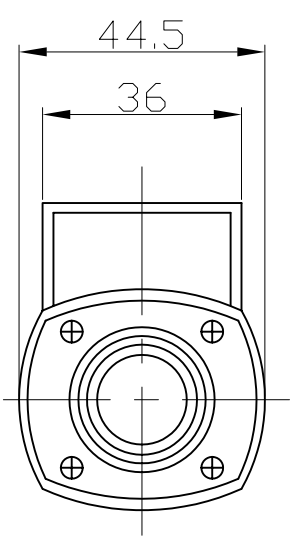
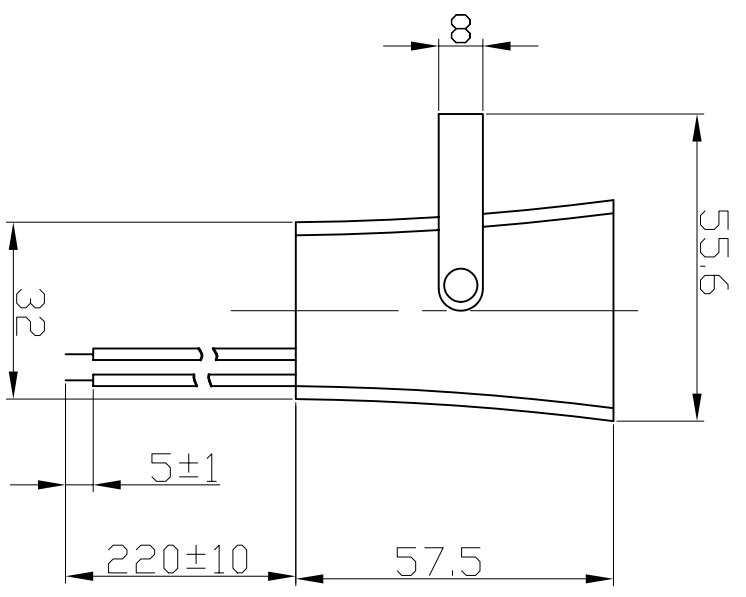


Specification

(Test Condition, 25°C)

1. Housing Material/ Color..... ABS /Black
2. Power Rating RMS 10 W
3. Power Rating Peak 15 W
4. Rated Voltage 12 VDC
5. Range Voltage 6~16 VDC
6. S.P.L. min. 100 dB(at 1 meter, 12VDC)
7. Current Draw 200 mA Max.(at 12 VDC)
8. Load Test 8 Hours (at 12 VDC)
9. Heat Test 8 Hours (at 85°C)
10. Operating Temperature range -20 ~ +85°C
11. Wires Connection Red +12V
Black GND
12. Weight 65±5 g



No.		DESCRIPTION		APPROVED		DATE	
TOLERANCES UNLESS NOTED OTHERWISE		APPROVALS		DATE			
XXX ±		DRAWN					
90° ANGLES ±1°		CHECKED					
FIRST ANGLE PROJECTION		APPROVED		03.05.23			
				UNIT		DWG NO.	
				mm		KP3.840.407	
				SCALE		SHEET	
				NOT TO SCALE		VER 1.1	
				KEPO NINGBO KEEP IMPROVING ELECTRONIC CO.,LTD http://www.chinaacoustic.com Electronic Siren KPS-4510			