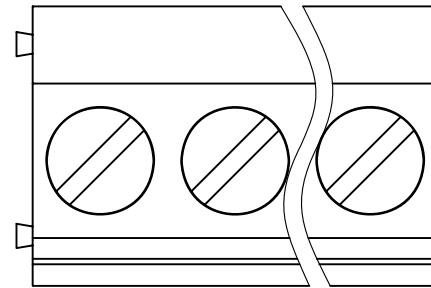
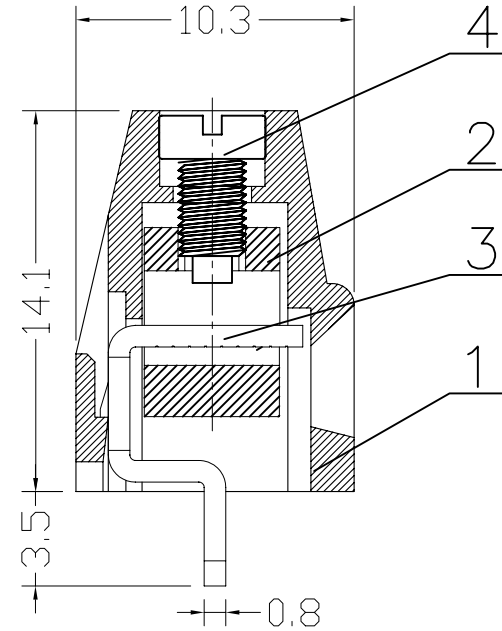
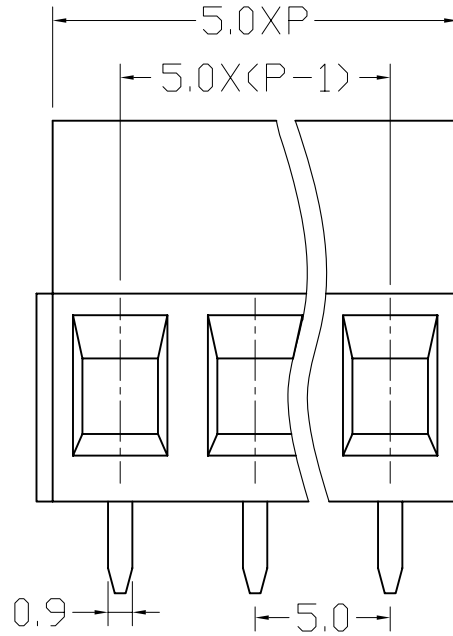


序号/RevNo.	名称/Title	文件编号/File No.
1	XY128A 塑件	QJ/XYT-2140101
2	XY128 铜方块	QJ/XYT-2140102
3	XY128V-A 端子	QJ/XYT-2140103
4	XY103 螺丝	QJ/XYT-2140104



300V 15A 24-12AWG 2.5mm<sup>2</sup>  
Poles: 2P&3P-24P  
Pitch: 5.0mm

Materials

Housing: PA66(UL 94V-0)  
Wire Cage: Brass,Nickel Plated  
Solder Pin: Brass,Tin Plated  
Screw: M2.5,Steel(A3),Zinc Plated  
Torque: 0.4N.m

设计/Designed by	绘图/Drawing by	审核/Checked by	批准/Approved by	未注公差 General Tolerance	
		图名/Title	文件编号/File No.	.x ± 0.2	.x' ± 2'
		XY128VA (铜方块)	QJ/XYT-2240100	.xx ± 0.1	.x' ± 1'
		产品图	页序/Sheet	.xxx ± 0.05	.xx' ± 0.5'
备注/Remark				.xxx ± 0.01	
				单位/Units:	mm

序号/RevNo.	更改记录/Revision note	签名/Signature	日期/Date