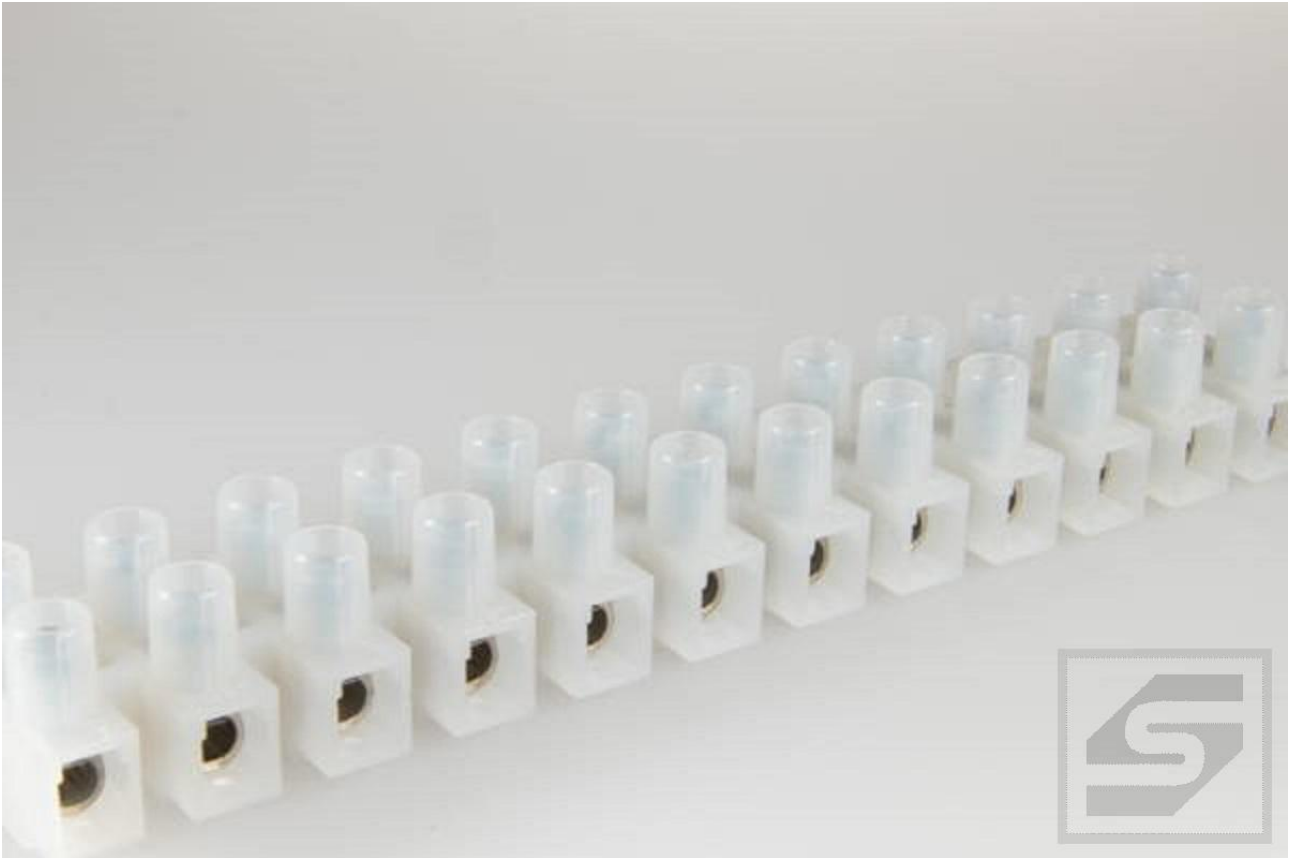




Listwa 500/12 31 MDS(122312M)12-tor 24A;450V;0.5-2.5mm²;k.biały;ADELS;



Dane techniczne:

Symbol: 500/12 31 MDS(122312M)

Napięcie: 450V

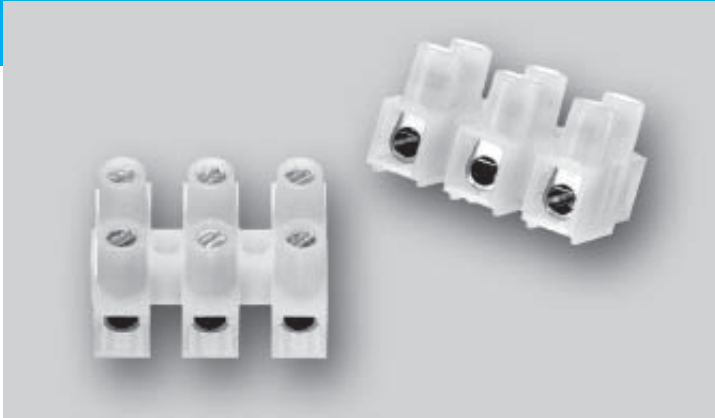
Prąd: 24A

Kolor: biały

Przekrój: 0.5-2.5mm²

Producent: ADELS

Europa Series Terminal Blocks



500-31

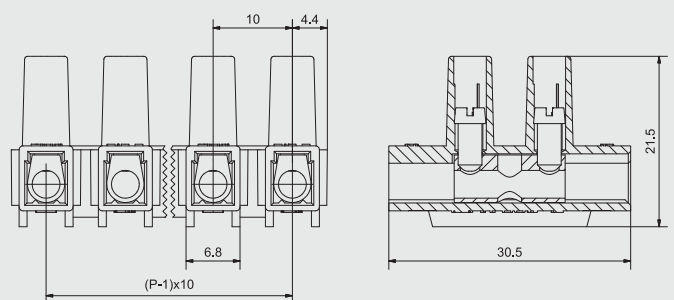
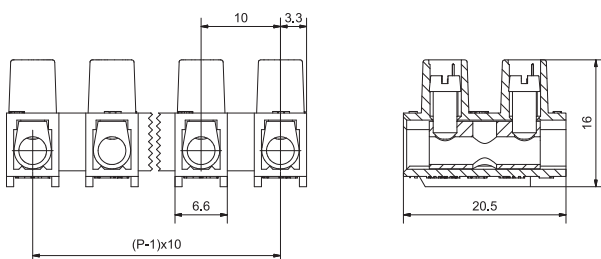
Connection: conductor size 0.5 - 2.5 mm² (with wire protector)
 conductor size 0.5 - 6.0 mm² (without wire protector)
Fixing: by screw or rivet size Ø 3.1 mm
Torque screw: M3: ⌀ max. 0.5 Nm
Stripping length: 7 - 7.5 mm
Important approvals: VDE, UL
Accessories: marking labels (page 82), covers (page 80), strain reliefs (page 82), (page 81), luminaires connecting box (page 81)
Upon request: 7 - 11 pole, center stop MDS, printing, different polyamides (in particular glow wire to EN 60335-1 and PA 6.6 HT for high temperatures), different screws



500 SK II Protection Class II

Connection: conductor size 0.5 - 2.5 mm² (with wire protector)
 conductor size 0.5 - 6.0 mm² (without wire protector)
Fixing: by plastic screw Ø 4.1 mm
Torque screw: M3: ⌀ max. 0.5 Nm
Stripping length: 7 - 7.5 mm
Important approvals: VDE, UL
Accessories: marking labels (page 82), strain reliefs (page 81)
Upon request: 7 - 11 pole, printing, different polyamides (in particular glow wire to EN 60335-1 and PA 6.6 HT for high temperatures), different screws

| Description | Item | Order Number | PU | Description | Item | Order Number | PU |
|--------------------------------|--------------|--------------|------|---|------------------|--------------|------|
| with Wire Protectors | | | | with Wire Protectors and Center Stop | | | |
| 1 pole | 500/ 1 31 DS | 122301 | 500 | 1 pole | 500 SK II/ 1 MDS | 124901M | 1000 |
| 2 pole | 500/ 2 31 DS | 122302 | 1100 | 2 pole | 500 SK II/ 2 MDS | 124902M | 1000 |
| 3 pole | 500/ 3 31 DS | 122303 | 1000 | 3 pole | 500 SK II/ 3 MDS | 124903M | 500 |
| 4 pole | 500/ 4 31 DS | 122304 | 500 | 4 pole | 500 SK II/ 4 MDS | 124904M | 500 |
| 5 pole | 500/ 5 31 DS | 122305 | 500 | 5 pole | 500 SK II/ 5 MDS | 124905M | 400 |
| 6 pole | 500/ 6 31 DS | 122306 | 500 | 6 pole | 500 SK II/ 6 MDS | 124906M | 400 |
| 12 pole | 500/12 31 DS | 122312 | 50 | 12 pole | 500 SK II/12 MDS | 124912M | 30 |
| without Wire Protectors | | | | without Wire Protectors | | | |
| 1 pole | 500/ 1 31 | 122201 | 500 | 1 pole | 500 SK II/ 1 | 124801 | 1000 |
| 2 pole | 500/ 2 31 | 122202 | 1100 | 2 pole | 500 SK II/ 2 | 124802 | 1000 |
| 3 pole | 500/ 3 31 | 122203 | 1000 | 3 pole | 500 SK II/ 3 | 124803 | 500 |
| 4 pole | 500/ 4 31 | 122204 | 500 | 4 pole | 500 SK II/ 4 | 124804 | 500 |
| 5 pole | 500/ 5 31 | 122205 | 500 | 5 pole | 500 SK II/ 5 | 124805 | 400 |
| 6 pole | 500/ 6 31 | 122206 | 500 | 6 pole | 500 SK II/ 6 | 124806 | 400 |
| 12 pole | 500/12 31 | 122212 | 50 | 12 pole | 500 SK II/12 | 124812 | 30 |

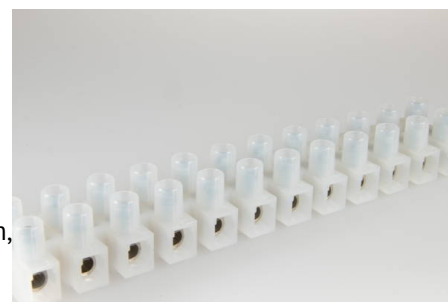




Screw Terminal Blocks

500/12 31 MDS

terminal block, 12 pole, insulating material: PA 6, cross-section rating: 2.5 mm², pin spacing: 10.0 mm, mounting hole diameter: 3.1 mm, centre stop (MDS): yes, fixing: screw, voltage rating: 450 V, current rating: 24 A



Order Info

| | |
|------------------------------------|---------------|
| reference number (ref. no.) | 122312M |
| PU | 50 |
| EAN | 4028012131181 |

Type

| | |
|--------------------------------|---------------------|
| type | terminal block |
| number of poles | 12 pole |
| clamping units per pole | 1 |
| colour | natural |
| cross-section rating | 2.5 mm ² |
| centre stop (MDS) | yes |

Technical Data

| | |
|---|-------------------------|
| voltage rating | 450 V |
| current rating | 24 A |
| insulating material | PA 6 |
| contact material | brass |
| core cross-section min. | 0.5 mm ² |
| core cross-section max. | 2.5 mm ² |
| flammability rating | V-2 |
| max. Ambient Temperature Operation | 85 °C |
| type of conductor solid | yes |
| type of conductor flexible | yes |
| type of conductor stranded | yes |
| stripping length | 7.0-7.5 mm |
| Assembly Contact Screw | 0.8x4.0 / \cup 0.5 Nm |
| mounting hole diameter | 3.1 mm |
| pin spacing | 10.0 mm |
| fixing | screw |

Approvals

| | |
|-------------------------|------------------------------|
| acc. to EN 60998 | Download PDF |
| acc. to UL | Download PDF |
| acc. to CSA | Download PDF |

Accessories

| | |
|-------------------|--------|
| 500 BZ/12 | 191312 |
| ABK 405/12 | 193212 |
| ZEL 110 | 196420 |