

4117



Open Type
13.2×15.3×18



Dust Covered
17.5×15×20

Features

- Superminiature, heavy power.
- Low coil power consumption.
- Switching current up to 20A.
- PC board mounting.
- Suitable for household appliances, electrical equipment, automation system, and automobile industry application.

Ordering Information

4117 C S 10 12VDC 1.0
1 2 3 4 5 6

- 1 Part number: 4117
- 2 Contact arrangement: A:1A;B:1B;C:1C;U:U;V:1V;W:1W
- 3 Enclosure: S: Sealed type; Z: Dust cover
- 4 Contact Current: 10:10A; 20:20A
- 5 Coil rated Voltage(V): DC:3,5,6,9,12,18,24
- 6 Coil power consumption: 1.0:1.0W; 1.2:1.2W

Contact Data

Contact Arrangement	1A(SPSTNO) 1B(SPSTNC) 1C (SPDT(B-M)) 1U(SPSTNODM) 1V(SPSTNCDB) 1W(SPDTNC-NO)
Contact Material	AgNi AgSnO ₂
Contact Rating (resistive)	1A, 1B, 1C: 10A/120VAC, 28VDC 20A/14VDC ; 1U, 1V, 1W: 2 × 10A/120VAC, 28VDC 2 × 20A/14VDC ;
Max. Switching Power	1C: 280W 1200VA 1W: 2 × 280W 2 × 1200VA
Max. Switching Voltage	75VDC 380VAC Max. Switching Current: 20A
Contact Resistance or Voltage drop	<50mΩ Item 4.12 of IEC 61810-7
Operation life	Electrical 10 ⁶ Item 4.30 of IEC 61810-7 Mechanical 10 ⁷ Item 4.31 of IEC 61810-7

Coil Parameter

Dash numbers	Coil voltage VDC		Coil resistance Ω ±10%	Pickup voltage VDC(max) (75% of rated voltage)	Release voltage VDC(min) (10% of rated voltage)	Coil power consumption W	Operate Time ms	Release Time ms
	Rated	Max.						
003-1000	3	3.9	9	2.25	0.3	1.0	≤10	<5
005-1000	5	6.5	25	3.75	0.5			
006-1000	6	7.8	36	4.50	0.6			
009-1000	9	11.7	85	6.75	0.9			
012-1000	12	15.6	145	9.00	1.2			
018-1000	18	23.4	324	13.5	1.8			
024-1000	24	31.2	576	18.0	2.4	1.2	<10	<5
012-1200	12	15.6	120	9.00	1.2			

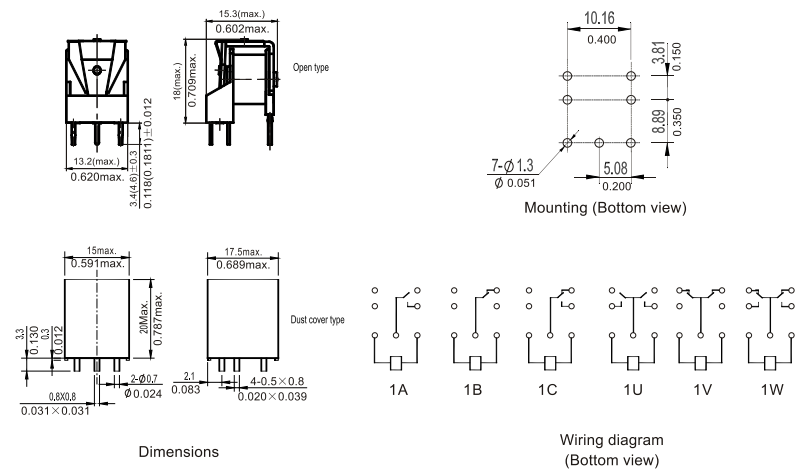
CAUTION: 1.The use of any coil voltage less than the rated coil voltage will compromise the operation of the relay.
2.Pickup and release voltage are for test purposes only and are not to be used as design criteria.

Operation condition

Insulation Resistance	100MΩ min (at 500VDC)	Item 7 of IEC 61810-5
Dielectric Strength	50Hz 750V	Item 6 of IEC 61810-5
Between contacts	50Hz 1500V	Item 6 of IEC 61810-5
Between contact and coil	100m/s ² 11ms	IEC68-2-27 Test Ea
Shock resistance	10~40Hz double amplitude 1.27mm	IEC68-2-6 Test Fc
Vibration resistance	10N	IEC68-2-21 Test Ua1
Terminals strength	235°C ± 2°C 3 ± 0.5s	IEC68-2-20 Test Ta method 1
Solderability	-40~105°C	IEC68-2-3 Test Ca
Ambient Temperature	85% (at 40°C)	
Relative Humidity	9g (Open type) 12g	
Mass		

Dimensions

mm /inch



NOTES 1).Dimensions are in millimeters.
2).Inch equivalents are given for general information only.

Reference Data

