

- Model: LAY5-EA4...
- Description: Economic Indicator Light, Neon (BA9s)
- Item Code:

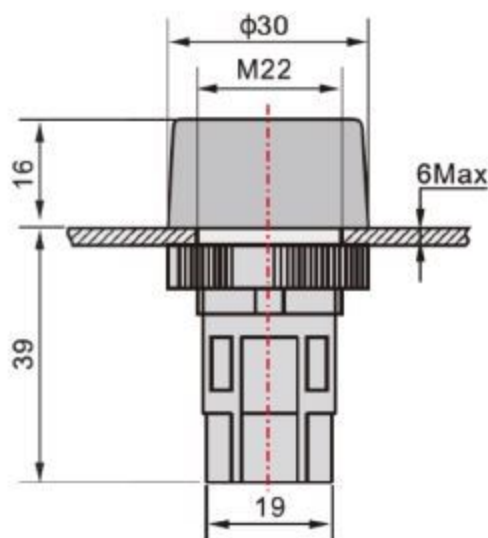
For use with
incandescent
bulb (included)
BA9s base
fitting
Neon (BA9S)

230V 50~60Hz
220~240V bulb

X1
⊗
X2

○	White	LAY5-EV441
●	Green	LAY5-EV443
●	Red	LAY5-EV444
●	Yellow	LAY5-EV445
●	Pure Blue	LAY5-EV446

➤ Drawings



Work environment

- Surrounding Temperature: -25°C~+55°C
- Air Relative humidity: ≤85%
- Vibration Frequency: 2~80Hz
- Acceleration Speed: 0.7h/g
- Altitude: ≤2000m

Main technical parameter

- Rated Insulation Voltage: 600V AC (50Hz/60Hz)
- Conventional Heating Current: 10A
- Insulation Resistance: ≥50MΩ
- Contact Resistance: ≤25MinΩ
- Min. mA current at 12 VDC: 15mA