


SNAP ACTION SWITCH

Features

- Reliability and small size and light weight.
- It's has long life and more operating force can be Applied such as lightly force.
- Good feeling and more levers are applied.



E88392 

Applications

- Telephone , Air condition , Computer , Humidifier , Alarm , Time recorder , Mixer & chopper , neon phone , Fax machine , Joystick , Water pump , Gas detector , Pencil sharpener , Money sorter , Food processor ,juice maker , Light , etc.

Specifications

Item	Standard
Rating	5A 125V AC or 3A 250V AC
Insulation Resistance	100MΩ min. (DC 500V)
Dielectric Strength	AC 500V (50/60Hz for 1 minute)
Contact Resistance	30mΩ max.
Electrically Life	100,000 cycle
Mechanically Life	1,000,000 cycles

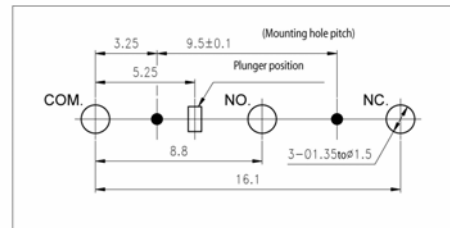
Product Selection

SS05
1 2

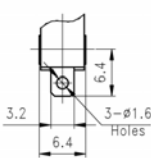
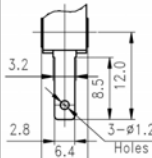
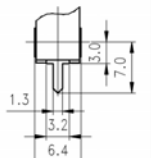
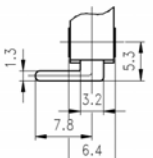
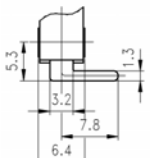
1. ACTUATOR TYPES

- 00: Pin plunger
- 01: Short hinge lever
- 02: Hinge lever
- 03: Long hinge lever
- 04: Simulated roller lever
- 05: Short hinge roller lever

Mounting Hole For P.C.B. Terminal



2. TERMINAL TYPE

Code	Solder terminal	Code	Solder terminal	Code	Quick connect terminal (#110)	Code	P.C.B. terminal	Code	P.C.B. terminal
-A		-C2		-P		-CL		-CR	

HIGHLY

B16

Design, specifications are subject to change without notice.

SNAP ACTION SWITCH

Operating Characteristics

Unit :mm

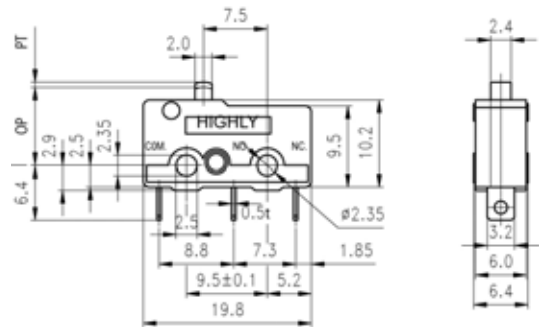
Item NO.

Dimensions

SS0500



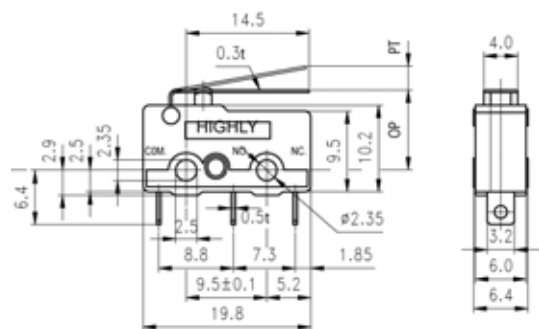
OF	max.	150g
RF	min.	55g
PT	max.	0.6 mm
OT	min.	0.6 mm
MD	max.	0.2mm
FP	max.	9.2mm
OP		8.4±0.5 mm



SS0501



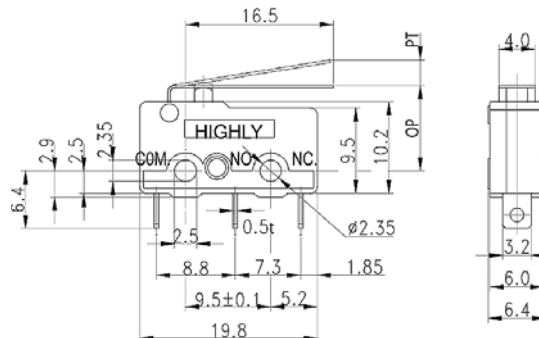
OF	max.	45g
RF	min.	12g
PT	max.	2.8 mm
OT	min.	1.4 mm
MD	max.	0.8 mm
FP	max.	11.9 mm
OP		8.8±0.8 mm



SS0502



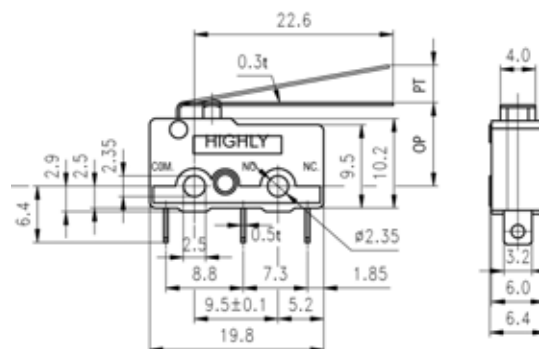
OF	max.	30g
RF	min.	12g
PT	max.	3.1 mm
OT	min.	1.4 mm
MD	max.	0.8 mm
FP	max.	12.2 mm
OP		8.8±0.8 mm



SS0503



OF	max.	45g
RF	min.	12g
PT	max.	4.2 mm
OT	min.	1.6 mm
MD	max.	1.0mm
FP	max.	13.3 mm
OP		8.8±1.2 mm



HIGHLY

B16

Design, specifications are subject to change without notice.

SNAP ACTION SWITCH

Operating Characteristics

Unit :mm

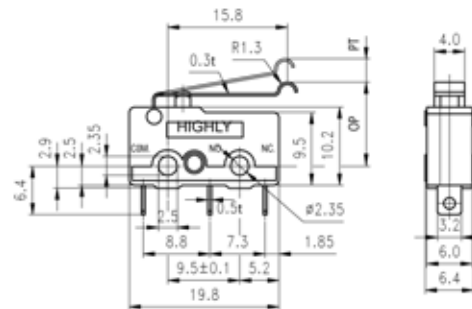
Item NO.

Dimensions

SS0504



OF	max.	45g
RF	min.	12g
PT	max.	3.0 mm
OT	min.	1.4 mm
MD	max.	0.8mm
FP	max.	14.0 mm
OP		10.7±0.8 mm



SS0505



OF	max.	45g
RF	min.	12g
PT	max.	2.8 mm
OT	min.	1.4 mm
MD	max.	0.8mm
FP	max.	17.6mm
OP		14.5±0.5mm

