



TR 2N3772;PMC;TO3;Tranzystor NPN;20A;100V;150W



Dane techniczne:

Nazwa: 2N3772

Typ tranzystora: bipolarny

Kierunek przewodnictwa: NPN

Prąd kolektora: 20A

Napięcie kolektor-emiter: 100V

Moc: 150W

Częstotliwość: 200kHz

Obudowa: TO3

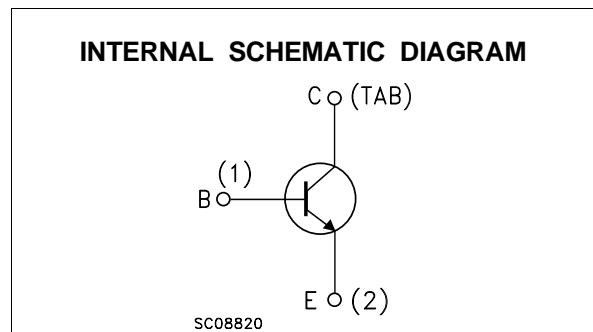
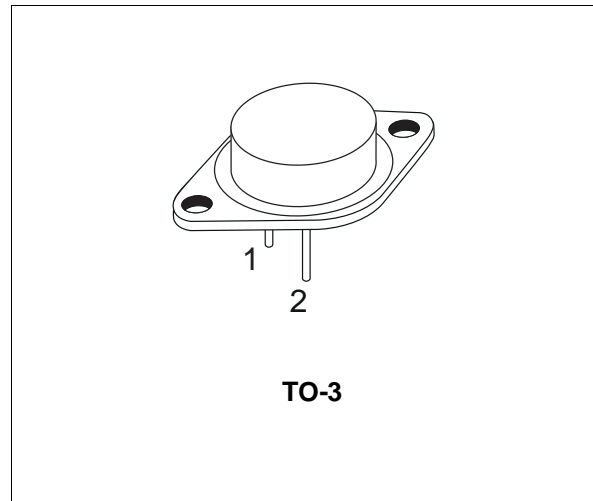
Montaż: przewlekany (THT)

HIGH POWER NPN SILICON TRANSISTOR

- STMicroelectronics PREFERRED SALESTYPES

DESCRIPTION

The 2N3771, 2N3772 are silicon epitaxial-base NPN transistors mounted in Jedec TO-3 metal case. They are intended for linear amplifiers and inductive switching applications.



ABSOLUTE MAXIMUM RATINGS

| Symbol | Parameter | Value | | Unit |
|-----------|--|------------|--------|------------|
| | | 2N3771 | 2N3772 | |
| V_{CEO} | Collector-Emitter Voltage ($I_E = 0$) | 40 | 60 | V |
| V_{CEV} | Collector-Emitter Voltage ($V_{BE} = -1.5V$) | 50 | 80 | V |
| V_{CBO} | Collector-Base Voltage ($I_B = 0$) | 50 | 100 | V |
| V_{EBO} | Emitter-Base Voltage ($I_C = 0$) | 5 | 7 | V |
| I_C | Collector Current | 30 | 20 | A |
| I_{CM} | Collector Peak Current | 30 | 30 | A |
| I_B | Base Current | 7.5 | 5 | A |
| I_{BM} | Base Peak Current | 15 | 15 | A |
| P_{tot} | Total Dissipation at $T_c \leq 25^\circ C$ | 150 | | W |
| T_{stg} | Storage Temperature | -65 to 200 | | $^\circ C$ |

2N3771/2N3772

THERMAL DATA

| | | | | |
|-----------------------|----------------------------------|-----|------|------|
| R _{thj-case} | Thermal Resistance Junction-case | Max | 1.17 | °C/W |
|-----------------------|----------------------------------|-----|------|------|

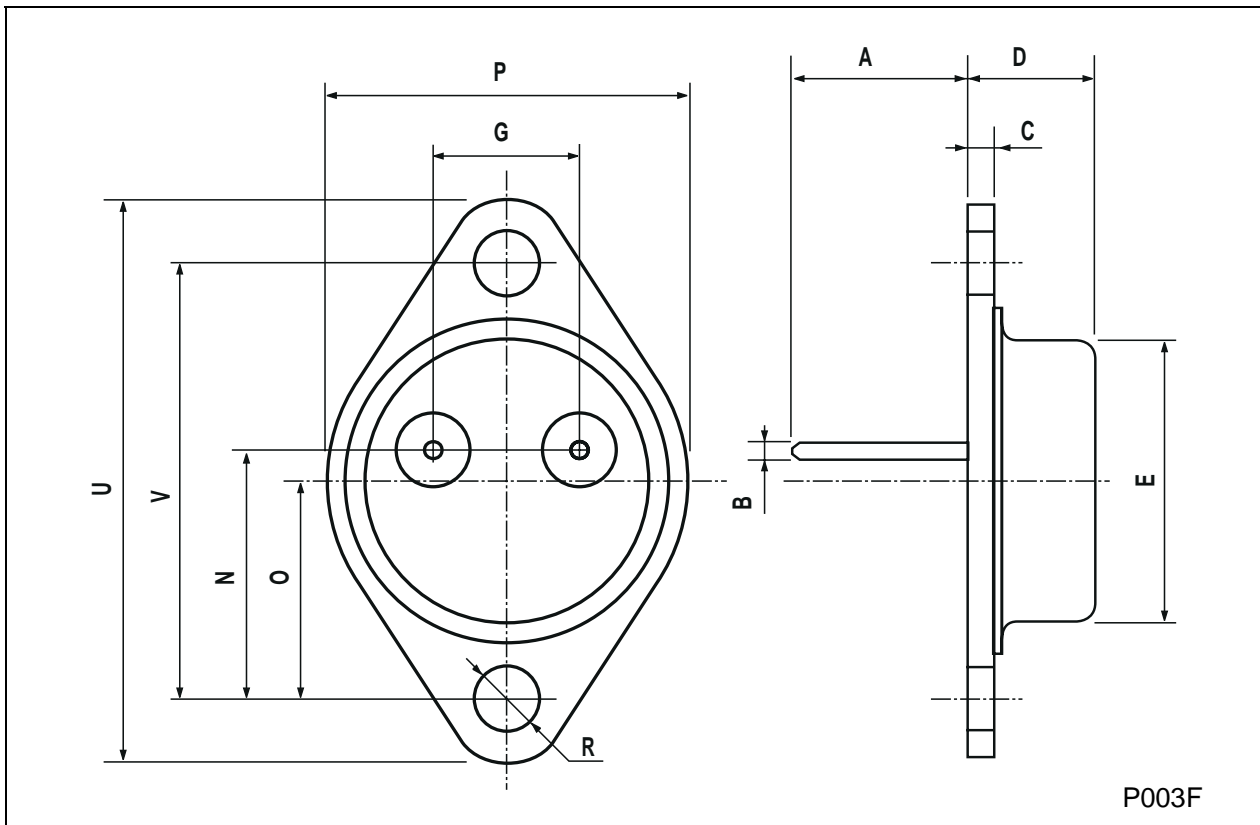
ELECTRICAL CHARACTERISTICS (T_{case} = 25 °C unless otherwise specified)

| Symbol | Parameter | Test Conditions | Min. | Typ. | Max. | Unit |
|------------------------|--|--|--------------------|------|--------------------|------------------|
| I _{CEV} | Collector Cut-off Current (V _{BE} = -1.5V) | for 2N3771 V _{CB} = 50 V for 2N3772 V _{CB} = 100 V for all V _{CB} = 30 V T _j = 150 °C | | | 2 5 10 | mA mA mA |
| I _{CEO} | Collector Cut-off Current (I _B = 0) | for 2N3771 V _{CB} = 30 V for 2N3772 V _{CB} = 50 V | | | 10 10 | mA mA |
| I _{CB0} | Collector Cut-off Current (I _E = 0) | for 2N3771 V _{CB} = 50 V for 2N3772 V _{CB} = 100 V | | | 4 5 | mA mA |
| I _{EBO} | Emitter Cut-off Current (I _C = 0) | for 2N3771 V _{CB} = 5 V for 2N3772 V _{CB} = 7 V | | | 5 5 | mA mA |
| V _{CEO(sus)*} | Collector-Emitter Sustaining Voltage (I _B = 0) | I _C = 0.2 A for 2N3771 for 2N3772 | 40 60 | | | V V |
| V _{CEV(sus)*} | Collector-Emitter Sustaining Voltage (V _{EB} = -1.5V) | I _C = 0.2 A R _{BE} = 100 Ω for 2N3771 for 2N3772 | 50 80 | | | V V |
| V _{CER(sus)*} | Collector-Emitter Sustaining Voltage (R _{BE} = 100 Ω) | I _C = 0.2 A for 2N3771 for 2N3772 | 45 70 | | | V V |
| V _{CE(sat)*} | Collector-Emitter Saturation Voltage | for 2N3771 I _C = 15 A I _B = 1.5 A I _C = 30 A I _B = 6 A for 2N3772 I _C = 10 A I _B = 1 A I _C = 20 A I _B = 4 A | | | 2 4 1.4 4 | V V V V |
| V _{BE*} | Base-Emitter Voltage | for 2N3771 I _C = 15 A V _{CE} = 4 V for 2N3772 I _C = 10 A V _{CE} = 4 V | | | 2.7 2.7 | V V |
| h _{FE*} | DC Current Gain | for 2N3771 I _C = 15 A V _{CE} = 4 V I _C = 30 A V _{CE} = 4 V for 2N3772 I _C = 10 A V _{CE} = 4 V I _C = 20 A V _{CE} = 4 V | 15 5 15 5 | | 60 60 | |
| h _{FE} | Small Signal Current Gain | I _C = 1 A V _{CE} = 4 V f = 1 KHz | 40 | | | |
| f _T | Transition frequency | I _C = 1 A V _{CE} = 4 V f = 50 KHz | 0.2 | | | MHz |
| I _{s/b} | Second Breakdown Collector Current | V _{CE} = 25 V t = 1 s (non repetitive) | 6 | | | A |

* Pulsed: Pulse duration = 300 μs, duty cycle ≤ 2 %

TO-3 MECHANICAL DATA

| DIM. | mm | | | inch | | |
|------|-------|------|-------|-------|------|-------|
| | MIN. | TYP. | MAX. | MIN. | TYP. | MAX. |
| A | 11.00 | | 13.10 | 0.433 | | 0.516 |
| B | 0.97 | | 1.15 | 0.038 | | 0.045 |
| C | 1.50 | | 1.65 | 0.059 | | 0.065 |
| D | 8.32 | | 8.92 | 0.327 | | 0.351 |
| E | 19.00 | | 20.00 | 0.748 | | 0.787 |
| G | 10.70 | | 11.10 | 0.421 | | 0.437 |
| N | 16.50 | | 17.20 | 0.649 | | 0.677 |
| P | 25.00 | | 26.00 | 0.984 | | 1.023 |
| R | 4.00 | | 4.09 | 0.157 | | 0.161 |
| U | 38.50 | | 39.30 | 1.515 | | 1.547 |
| V | 30.00 | | 30.30 | 1.187 | | 1.193 |



Information furnished is believed to be accurate and reliable. However, STMicroelectronics assumes no responsibility for the consequences of use of such information nor for any infringement of patents or other rights of third parties which may result from its use. No license is granted by implication or otherwise under any patent or patent rights of STMicroelectronics. Specification mentioned in this publication are subject to change without notice. This publication supersedes and replaces all information previously supplied. STMicroelectronics products are not authorized for use as critical components in life support devices or systems without express written approval of STMicroelectronics.

The ST logo is a trademark of STMicroelectronics

© 2000 STMicroelectronics – Printed in Italy – All Rights Reserved

STMicroelectronics GROUP OF COMPANIES

Australia - Brazil - China - Finland - France - Germany - Hong Kong - India - Italy - Japan - Malaysia - Malta - Morocco -
Singapore - Spain - Sweden - Switzerland - United Kingdom - U.S.A.

<http://www.st.com>

This datasheet has been download from:

www.datasheetcatalog.com

Datasheets for electronics components.