

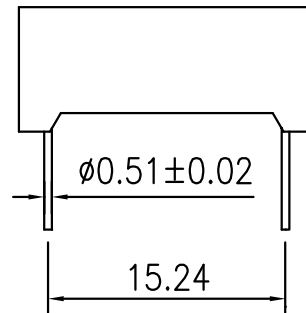
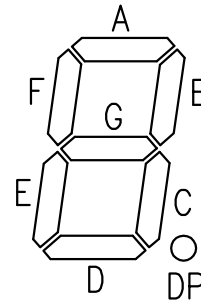
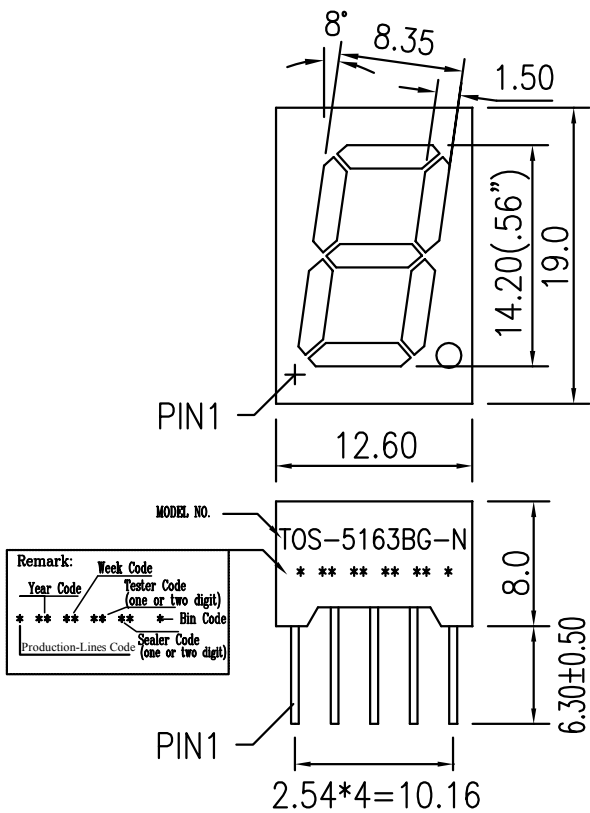


TAIWAN OASIS LED DATA SHEET

PART NO. : TOS-5163BG-N

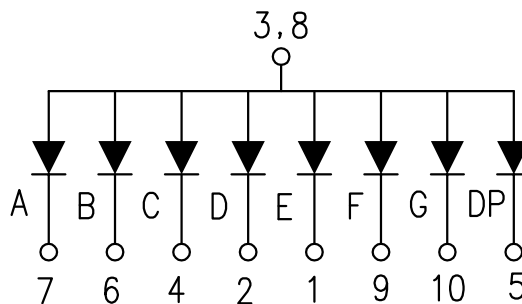
APPEARANCE			TECHNOLOGIE	GaP
FACE	SEGMENT	PIN	SOURCE COLOR	Green
Gray	White	∅0.51x10.28	DRIVER MODE	Com. Anode
			PACKING	Tube(5263)

PACKAGE DIMENSIONS



NORMAL TOLERANCE: ±0.25 ANGLE: ±1°

INTERNAL CIRCUIT DIAGRAM



DATE	03/27/07'	SCALE	2:1	DRAWING NO.	S-5163BG-N-A	DRAWN	Q.C.F	CHECKED	
UNIT	M/M	SHEET NO.	1/2			CUSTOMER		APPROVED	



TAIWAN OASIS LED DATA SHEET

PART NO. : TOS-5163BG-N

ABSOLUTE MAXIMUM RATINGS AT TA=25°C

PARAMETER	VALUE	UNITS
Power Dissipation Per Segment	75	mW
Peak Forward Current Per Segment (1/10 Duty Cycle, 0.1ms Pulse Width)	80	mA
Continuous Forward Current Per Segment	20	mA
Recommend Operating Current	12	mA
Reverse Voltage Per Segment	5	V
Operating Temperature Range	-25 to +85	°C
Storage Temperature Range	-30 to +85	°C
Junction Temperature	>85	°C
Lead Free Solder Temperature(1/16 Inch Below Seating Plane)	260°C for 3 sec.	

ELECTRICAL/OPTICAL CHARACTERISTICS AT TA=25°C

PARAMETER	SYMBOL	MIN.	TYP.	MAX.	UNITS	TEST CONDITION	GRADE
Luminous Intensity Per Segment	I _V	2501	3000	3500	μcd	I _F =10mA	G
Luminous Intensity Per Segment	I _V	3501	4113	4725	μcd	I _F =10mA	H
Luminous Intensity Per Segment	I _V	4726	5435	6144	ucd	I _F =10mA	K
Peak Emission Wavelength	λ _P		570		nm	I _F =20mA	
Spectral Line Half-Width	Δλ		30		nm	I _F =20mA	
Forward Voltage Per Segment	V _F	1.9	2.2	2.5	V	I _F =20mA	
Reverse Current Per Segment	I _R			20	μA	V _R =5V	
Luminous Intensity Matching Rate	I _v -m			1.5:1		I _F =20mA	

Notes: Above specification may be changed without notice.

DATE	03/27/07'	SCALE	_____	DRAWING NO.	S-5163BG-N-A	DRAWN	Q.C.F'	CHECKED	
UNIT	_____	SHEET NO.	2/2			CUSTOMER		APPROVED	