



**Przełącznik; stacyjka S-246-3C-2;HIGHLY; 2 pozycje ;
bistabilny; 3 wyprowadzenia ; Sposób przeł. ON-ON; Otw.
19mm; 2A; 250V AC;**



Dane techniczne:

Symbol: S246-3C-2

Sposób przełączania: ON-ON

Ilość torów: 1 tor

Kąt obrotu: 90°

Ilość pozycji: 2 pozycje

Właściwości stacyjek: klucz wyjmowalny w każdej pozycji stabilnej

Typ przełącznika: bistabilny

Montaż mechaniczny: na panel

Wyprowadzenia: do lutowania

Prąd styków AC: 2A

Napięcie przełączania AC: 250V AC

Otwór montażowy: 19mm

Głębokość montażowa: 42mm

Materiał korpusu: stop cynku

Klasa szczelności: nieokreślona

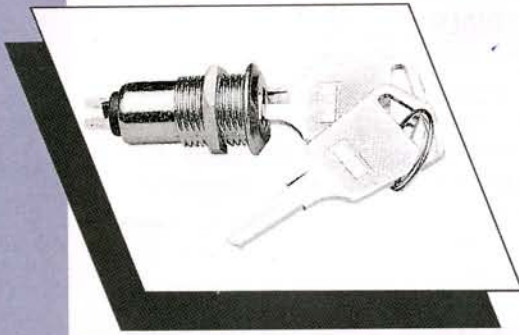
Kolor elementu wykonawczego: srebrny

Producent: Highly

Certyfikaty: RoHS

KEY SWITCH & CAM LOCK

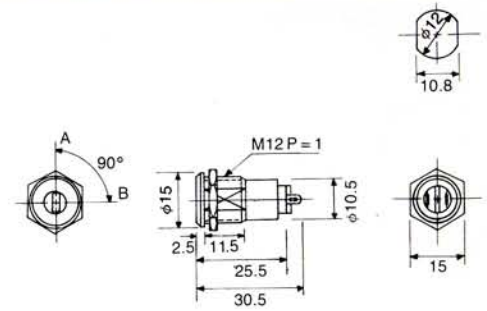
鑰匙開關及鑰匙鎖



S-1091B

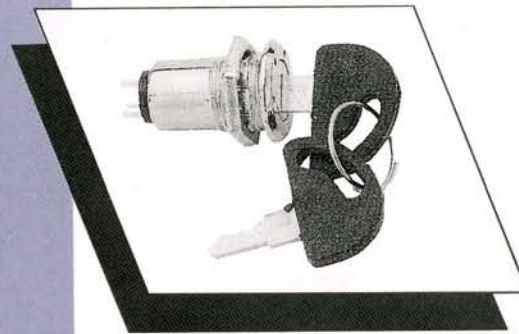
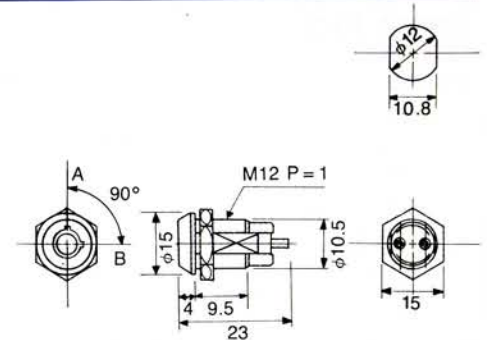
- Zinc alloy die cast housing and cylinder chrome plated.
- Zinc alloy Keys bright. chrome plated
- Silver plated contacts and terminals
- 2 Positions (off-on)
- Electrical rating: 1A 110VAC

Patent No. 26526



S-102

- Zinc alloy die cast housing and cylinder chrome plated.
- Zinc alloy Keys bright. chrome plated
- Silver plated contacts and terminals
- 2 Positions (off-on)
- Electrical rating: 1A 110VAC

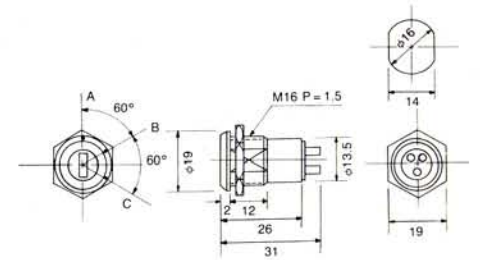


S332 2 Positions (ON-OFF)

S333 3 Positions (ON-ON-OFF)

SPECIFICATIONS:

- Contact Rating: 2A 125VAC, 1A 250VAC
- Contact Resistance: 10 Milli-Ohms Max.
- Insulation Resistance: 500 Meg-Ohms Min. (500VDC)
- Dielectric Strength: 1000VAC—1 Minute

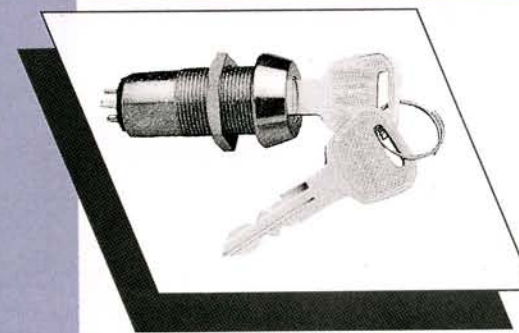
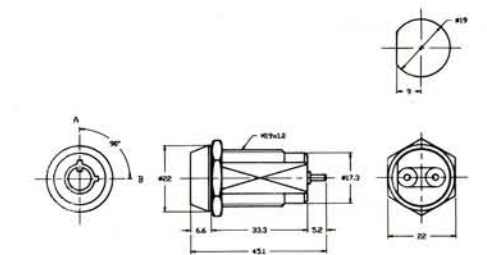


S202 2 Positions (ON-OFF)

S202A 2 Positions (ON-OFF) Spring Routed For Momentary Contact.

SPECIFICATIONS:

- Contact Rating 4A 125VAC, 2A 250VAC
- Contact Resistance: 10 Milli-Ohms Max.
- Insulation Resistance: 500 Meg-Ohms Min. (500VDC)
- Dielectric Strength: 1500VAC—1 Minute

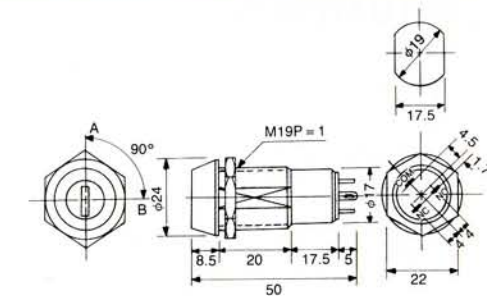


S246 2 Position (ON-OFF)

S246-3C 2 Positions, 3 Terminals (CHANGE OVER TYPE)

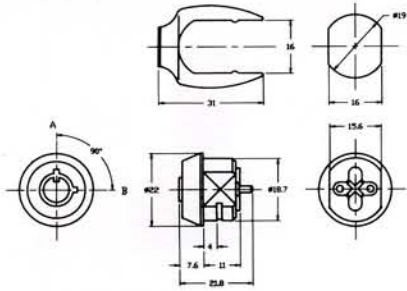
SPECIFICATIONS:

- Contact Rating: 4A 125VAC, 2A 250VAC
- Contact Resistance: 10 Milli-Ohms Max.
- Insulation Resistance: 500 Meg-Ohms Min. (500VDC)
- Dielectric Strength: 1500VAC—1 Minute



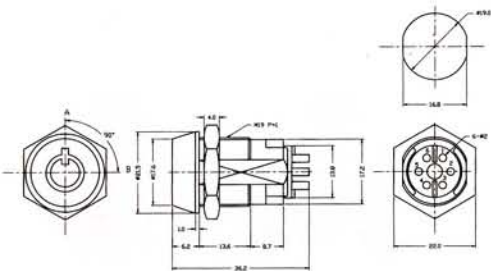
KEY SWITCH & CAM LOCK

鑰匙開關及鑰匙鎖



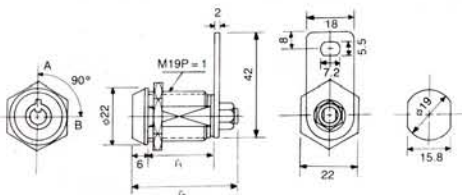
S-503

- Zinc alloy die cast housing and cylinder, satin chrome plated
- Zinc alloy Keys, bright chrome plated
- Silver plated contacts and terminals
- 2 Positions (off-on)
- Electrical rating: 2A 110VAC



S-506

- Zinc alloy die cast housing and cylinder satin chrome plated
- Zinc alloy Keys, bright chrome plated
- Silver plated contact and terminals
- Electrical rating: 3A 125V, 1.5A 250 VAC
- 2 positions (ON-ON)
A 2-3, 5-6
B 2-1, 5-4

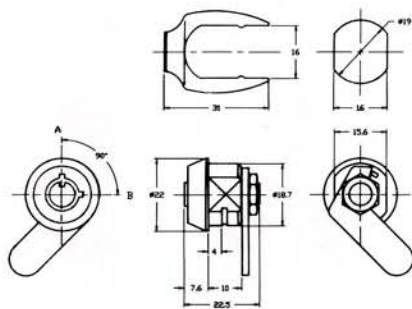
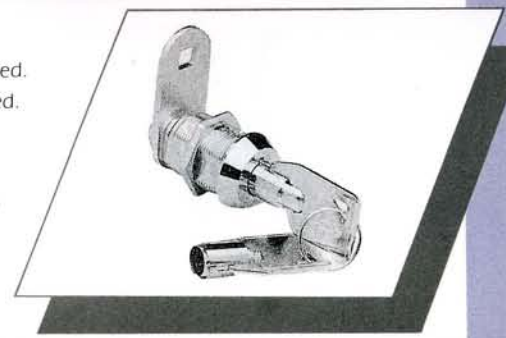
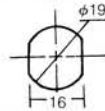


C510 CAM LOCK

DESCRIPTIONS:

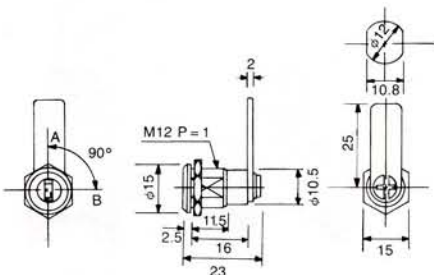
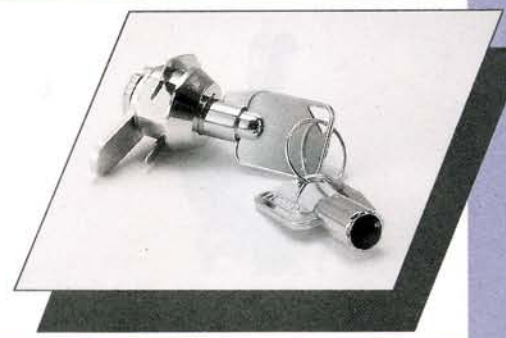
- Brass Housing & Cylinder. Chrome Plated.
- Tubular Keys. Steel Made. Chrome Plated.
- Three Sizes Available.
- Used For: Cabinets, Vending Machines, Cash Boxes, Mail Boxes, Computer, Phone Exchange Door, etc.

Sizes	l ₁	l ₂
C510-S	17	33.7
C510-M	23	39.7
C510-L	28	44.7



C-501

- Zinc alloy die cast housing and cylinder satin chrome plated
- Zinc alloy Keys, bright chrome plated.
- Various cam configurations available



C1091 CAM LOCK

DESCRIPTIONS:

- Brass Housing & Cylinder Chrome Plated.
- Brasskeys, nickle plated

