

CARBON FILM POTENTIOMETER

RM065 RM063



FEATURE

- 6mm / Single-Turn / Carbon Film
- phenolic Base / Resin Mold
- Open Frame / PC Board Stand-offs
- Enclosed Cover



ELECTRICAL CHARACTERISTICS

Standard Resistance Range	10 to 1M ohm(see standard resistance table)
Resistance Tolerance	± 30%
Contact Resistance Variation	R<1K ohm: 30 ohm max. R>1K ohm: 3% max.
Resolution	Infinite
Rotational Angle	210 ° ± 20 °
Resistance Taper	Linear (B)

ENVIRONMENTAL CHARACTERISTICS

	0.1W (at 50 °C)
Max Operating Voltage	50V/DC (100-500K ohm) 25V/DC (>500K ohm)
Operating Temperature Range	-10 °C to +70 °C
Rotational Life	20 ± 2 cycles

PHYSICAL CHARACTERISTICS

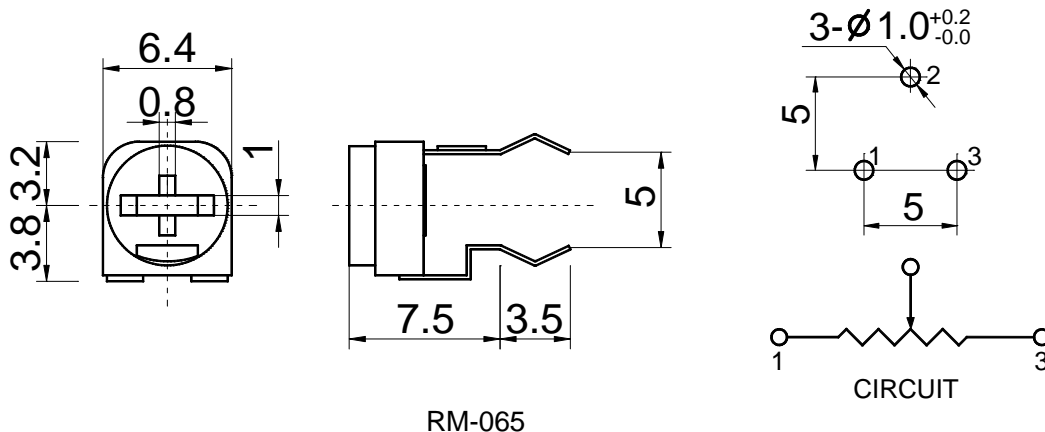
Rotational Torque	20-250 g-cm
Stop Strength	>350 g-cm
Terminals	Solderable pins
Marking	Resistance code

STANDARD RESISTANCE TABLE

Resistance (Ohms)	Resistance Code	Resistance (Ohms)	Resistance Code
100	101	20,000	203
200	201	50,000	503
500	501	100,000	104
1,000	102	200,000	204
2,000	202	500,000	504
5,000	502	1,000,000	105
10,000	103		

Special resistance available

OUTLINE DIMENSIONS

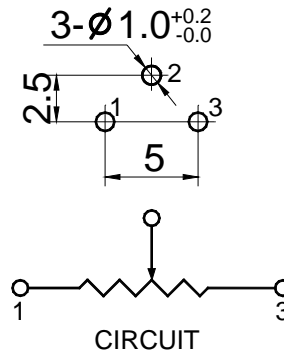
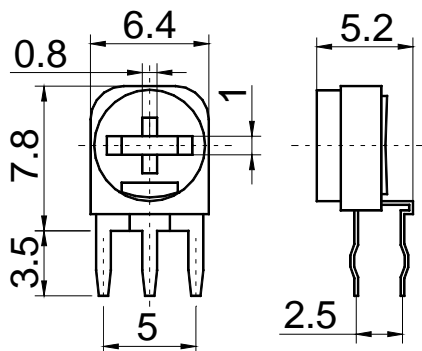


RM-065

Specifications are subject to change without notice.

CARBON FILM POTENTIOMETER

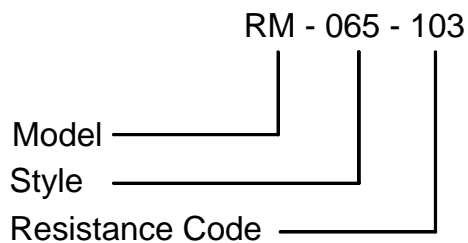
RM065 RM063



RM-063

Unit: mm Tolerance: ± 0.25 if not specified

HOW TO ORDER



Specifications are subject to change without notice.