



# Oprawka LED 5mm RTF5020 wklęsła Kingbright RoHS KBE CN



## Dane techniczne:

Nazwa: Oprawka LED RTF5020

Typ: wklęsła

Średnica LED: 5mm

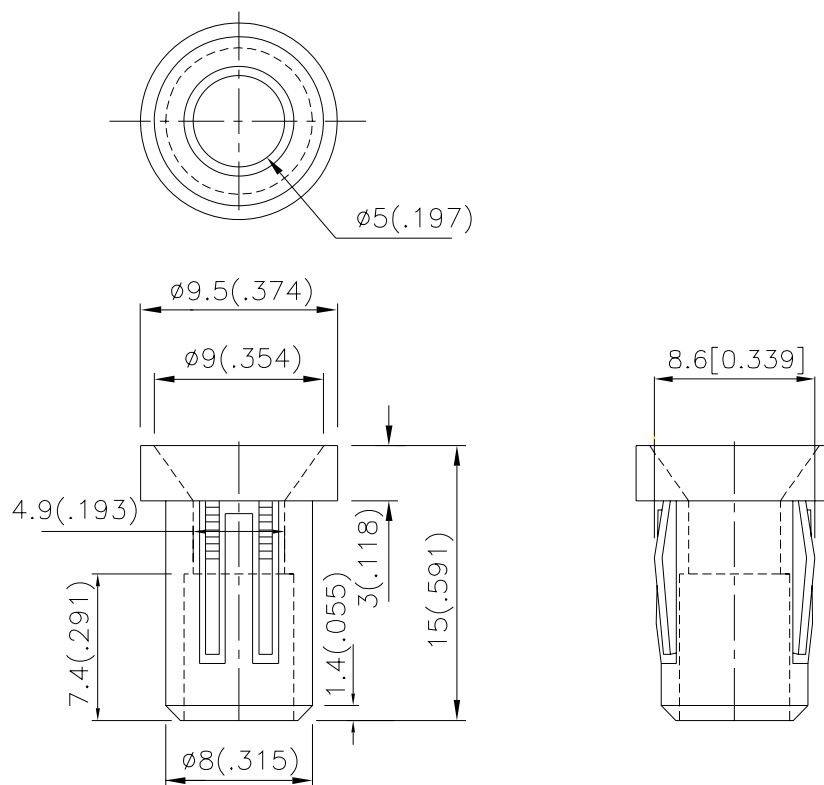
RoHS

Part Number: RTF-5020

### Features

- SUITABLE FOR BACK PANEL ILLUMINATION, CIRCUIT BOARD INDICATOR, LED INDICATOR.
- UL RATING : 94V-0.
- HOUSING MATERIAL: TYPE 66 NYLON.
- RECOMMENDED HOLE SIZE:Φ8.2MM.
- RoHS COMPLIANT.

### Package Dimensions



#### Notes:

1. All dimensions are in millimeters (inches).
2. Tolerance is  $\pm 0.25(0.01)$ " unless otherwise noted.
3. Specifications are subject to change without notice.

