

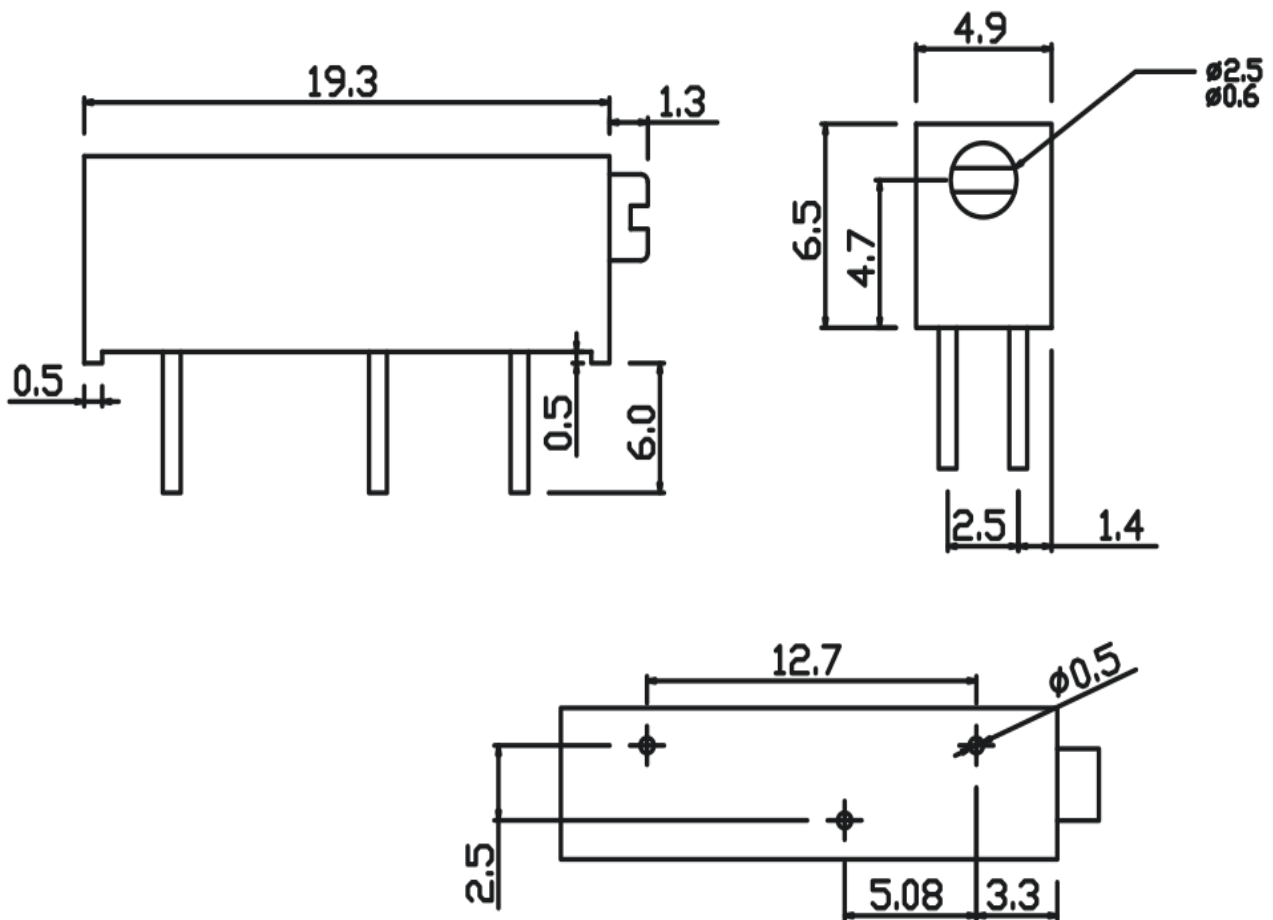
Multiturn-turn Cermet Potentiometer With 3006 Type

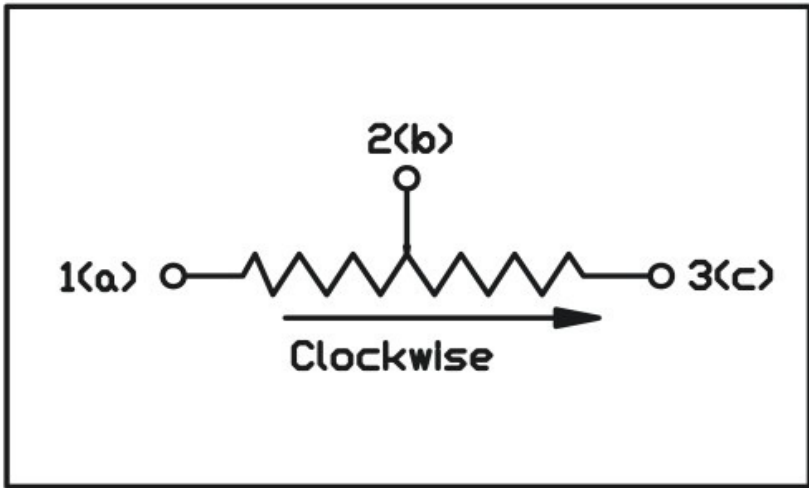
Electrical Characteristics

Standard Resistance Range:	10Ω ~ 2MΩ
Resistance Tolerance:	± 10%
Terminal Resistance:	≤ 2Ω Max.
Contact resistance variation:	CRV ≤ 3% R or 3Ω Max.
Insulation Resistance:	R1 ≥ 1GΩ
Withstand Voltage:	101.3kPa 600V, 8.5kPa 350V
Wiper Current Max.:	100mA
Electrical Travel:	22±2 turns nom

Environment Characteristics

Power Rating (315 volts max.):	+70°C 0.75W, +125°C 0W
Temperature Range:	-55°C ~ +125°C
Temperature Coefficient:	± 250ppm/°C; ± 100ppm/°C
Temperature Variation:	ΔR ≤ ± 1% R, Δ(Uab / Uac) ≤ ± 1%
Vibration:	390m/s ² , 4000 times ΔR ≤ ± 1% R
Collision:	10 ~ 500Hz, 0.75mm, or 98m/s ² , 6h, ΔR ≤ ± 1% R
Climate Category:	ΔR ≤ 3% R, R1 ≥ 100MΩ
Electrical Endurance at 70 °C:	0.75W, 1000h, ΔR ≤ ± 3% R
Mechanical Endurance:	200cycles, ΔR ≤ ± 3% R
Steady Damp-Heat:	ΔR ≤ ± 3% R, R1 ≥ 100MΩ





Resistance (Ω)	Code
10	100
20	200
50	500
100	101
200	201
500	501
1000	102
2000	202
10000	103
20000	203
50000	503
100000	104
200000	204
500000	504
1000000	105
2000000	205