

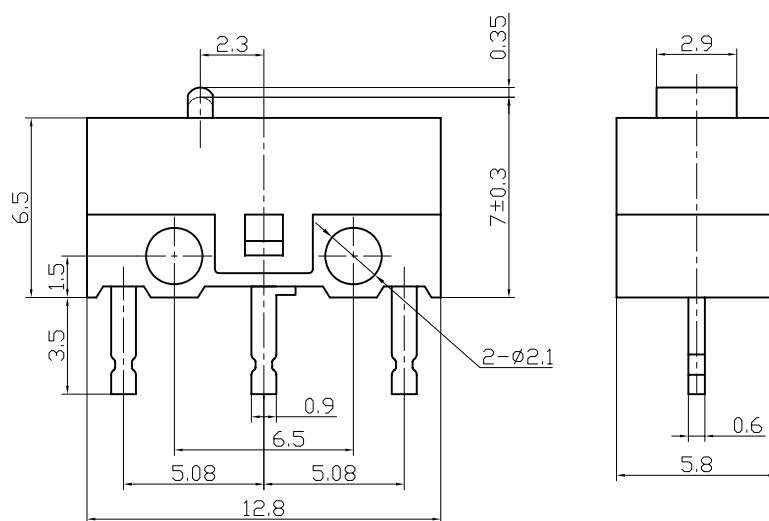
# Micro Switches

MSW-21

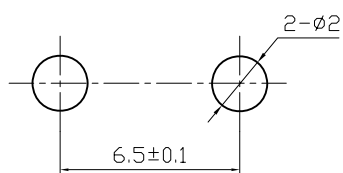
## (Specification)

(Rating): 1A 125/250V AC  
(Contact R): 30mΩ max  
(Insulation R): 250V DC 100MΩ min  
(Dielectric Strength): 1 Minute 1000V AC  
(Ambient Temperature): -25°C ~ +65°C  
(Electrical Life): 30,000 Cycles

## (Outline Drawing)



## (Mounting)



## (Circuitry)

