



Oprawka LED 10mm RTF1090 wypukła Kingbright CN RoHS



Dane techniczne:

Nazwa: Oprawka LED RTF1090

Typ: wypukła

Średnica LED: 10mm

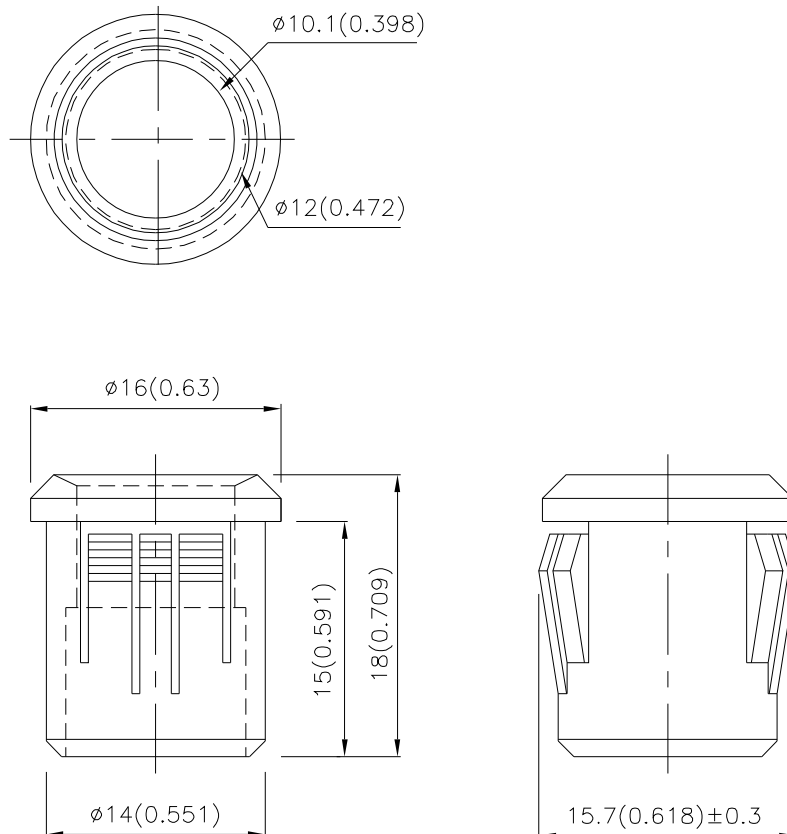
RoHS

RTF-1090

Features

- SUITABLE FOR BACK PANEL ILLUMINATION, CIRCUIT BOARD INDICATOR, LED INDICATOR.
- UL RATING : 94V-0.
- HOUSING MATERIAL: TYPE 66 NYLON.
- RoHS COMPLIANT.

Package Dimensions



Notes:

1. All dimensions are in millimeters (inches).
2. Tolerance is $\pm 0.25(0.01)$ unless otherwise noted.
3. Specifications are subject to change without notice.