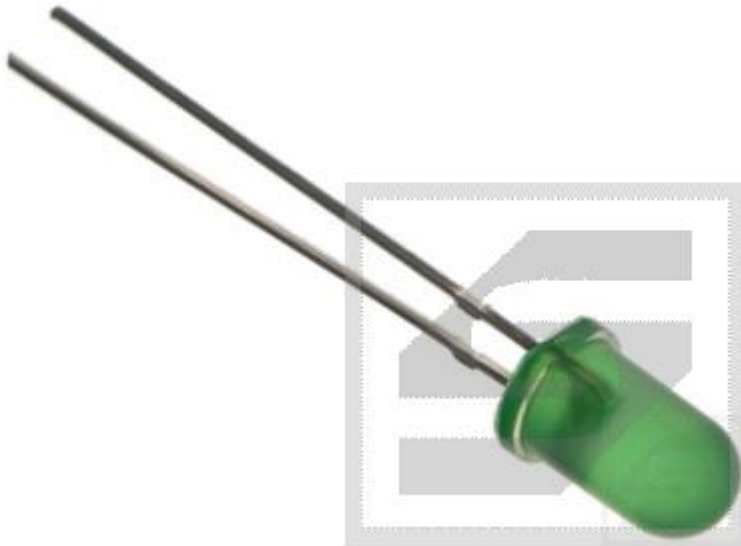




# Dioda LED 5mm 12V zielona matowa OSG8NU5B64A-12V OPTOSUPPLY



## Dane techniczne:

Nazwa: OSG8NU5B64A-12V

Średnica diody LED: 5mm

Prąd diody LED: 20mA

Napięcie diody LED: 12V

Soczewka diody: dyfuzyjna

Jasność: 90mcd

Kolor diody LED: zielony

Kąt świecenia: 60°

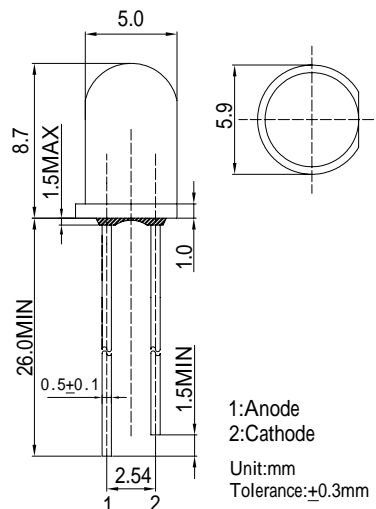
Długość fali: 570nm

**Features**

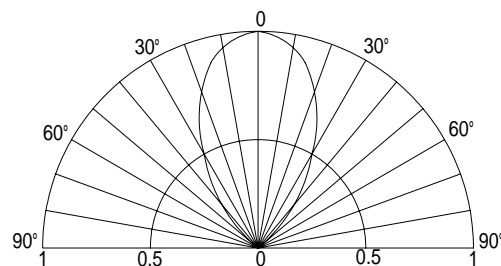
- High Luminous LEDs
- 5mm Round Standard Directivity
- Superior Weather-resistance
- UV Resistant Epoxy
- Integral Current Limiting Resistor
- TTL Compatible (Requires No External Current Limiter With 12 Volt Supply)
- Cost Effective (Saves Space and Resistor Cost)
- Color Diffused Type

**Applications**

- Status Indicators
- Other Lighting

**Outline Dimension**

**Absolute Maximum Rating (Ta=25 °C)**

Item	Symbol	Value	Unit
DC Forward Voltage	$V_F$	15	V
Reverse Voltage	$V_R$	5	V
Power Dissipation	$P_D$	225	mW
Operating Temperature	$T_{opr}$	-30 ~ +85	
Storage Temperature	$T_{stg}$	-40 ~ +100	
Lead Soldering Temperature	$T_{sol}$	260 /5sec	-

**Directivity**

**Electrical -Optical Characteristics (Ta=25 °C)**

Item	Symbol	Condition	Min.	Typ.	Max.	Unit
DC Forward Current	$I_F$	$V_F = 12V$	-	10	15	mA
DC Reverse Current	$I_R$	$V_R = 12V$	-	-	10	$\mu A$
Domi. Wavelength*	$\lambda_D$	$V_F = 12V$	565	570	575	nm
Luminous Intensity*	$I_v$	$V_F = 12V$	68	90	-	mcd
50% Power Angle	$2\theta_{1/2}$	$V_F = 12V$	-	60	-	deg

\*1 Tolerance of dominant wavelength is  $\pm 1$ nm

\*2 Tolerance of luminous intensity is  $\pm 15\%$

## AlGaInP and Si Resistor LED

### TYPICAL ELECTRICAL/OPTICAL CHARACTERISTIC CURVES

