



# Dioda LED 10mm biała KTL100WDI Kouhi



## Dane techniczne:

Nazwa: KTL100WDI

Średnica diody LED: 10mm

Prąd diody LED: 20mA

Napięcie diody LED: 3.0-3.6V

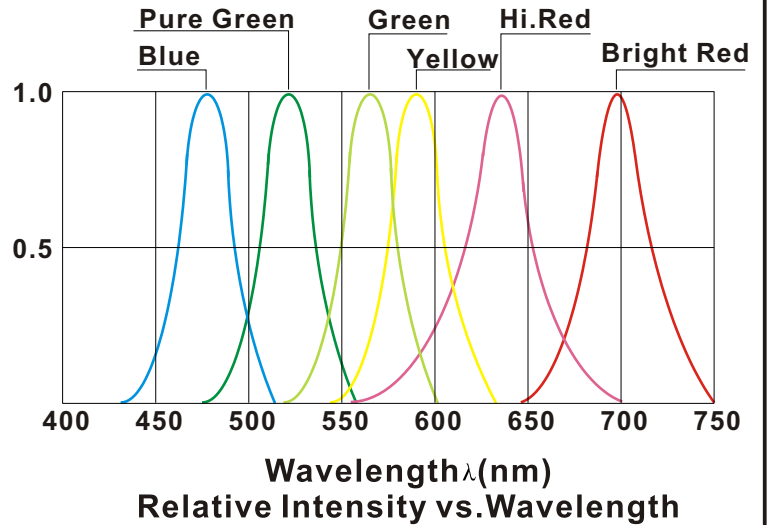
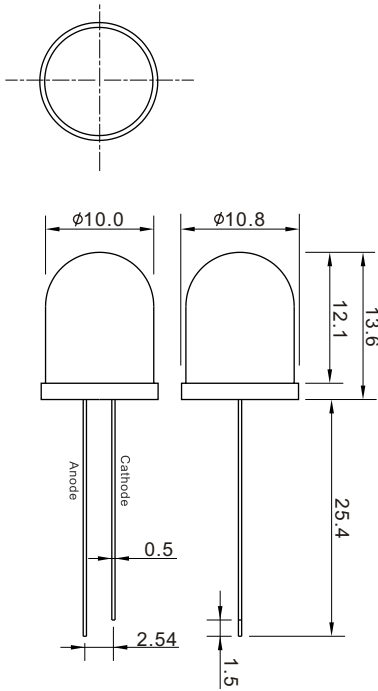
Soczewka diody: dyfuzyjna

Jasność: 800-1500mcd

Kolor diody LED: biały zimny

Kąt świecenia: 120°

[www.podzespoly-elektroniczne.pl](http://www.podzespoly-elektroniczne.pl)



Part No.	Colour	Wave Length	Lens Colour	Luninous In tensity(mcd)	Voltage(V)	Current(mA)	Deg
KTL100DDI	Red	700	Red Diffused	6-8	1.7-2.4	20	120°
KTL100CDI	Red	645		20-40	1.7-2.4	20	120°
KTL100ADI-S	Red	630		100-200	1.7-2.4	20	120°
KTL100ADI-U	Red	640		200-400	1.7-2.4	20	120°
KTL100ADI-t	Red	623		600-1200	1.7-2.4	20	120°
KTL100KDI	Green	572	Green Diffused	6-8	1.7-2.4	20	120°
KTL100JDI	Green	572		40-60	1.7-2.4	20	120°
KTL100JDI-S	Green	572		100-200	1.7-2.4	20	120°
KTL100JDI-U	Green	572		200-400	1.7-2.4	20	120°
KTL100IDI	Yellow	590	Yellow Diffused	100-200	1.8-2.1	20	120°
KTL100IDI-S	Yellow	590		150-300	1.8-2.1	20	120°
KTL100IDI-U	Yellow	590		400-800	1.8-2.1	20	120°
KTL100IDI-T	Yellow	590		600-1000	1.8-2.1	20	120°
KTL100FDI	Orange	610	Orange Diffused	60-80	1.8-2.1	20	120°
KTL100FDI-S	Orange	610		250-450	1.8-2.1	20	120°
KTL100FDI-U	Orange	610		450-650	1.8-2.1	20	120°
KTL100BGDI	Blue-Green	510	Green Diffused	2000-3000	3.0-3.6	20	120°
KTL100BGDI-U	Blue-Green	510		3000-4000	3.0-3.6	20	120°
KTL100BLDI	Blue	470	Blue Diffused	300-400	3.0-3.6	20	120°
KTL100BHDI	Blue	470		400-800	3.0-3.6	20	120°
KTL100BUDI	Blue	470		800-1200	3.0-3.6	20	120°
KTL100PGDI	Pure Green	525	Green Diffused	2000-3000	3.0-3.6	20	120°
KTL100PGDI-S	Pure Green	525		3000-4000	3.0-3.6	20	120°
KTL100PGDI-U	Pure Green	525		4000-5000	3.0-3.6	20	120°
KTL100WDI	White	----	White Diffused	800-1500	3.0-3.6	20	120°
KTL100WHDI	White	----		1500-2000	3.0-3.6	20	120°
KTL100WUDI	White	----		2000-2500	3.0-3.6	20	120°